

# Stille imagiQ2

Endovascular procedures and patient care  
at their best



Surgical perfection. For life.

# Endovascular repair meets surgical perfection

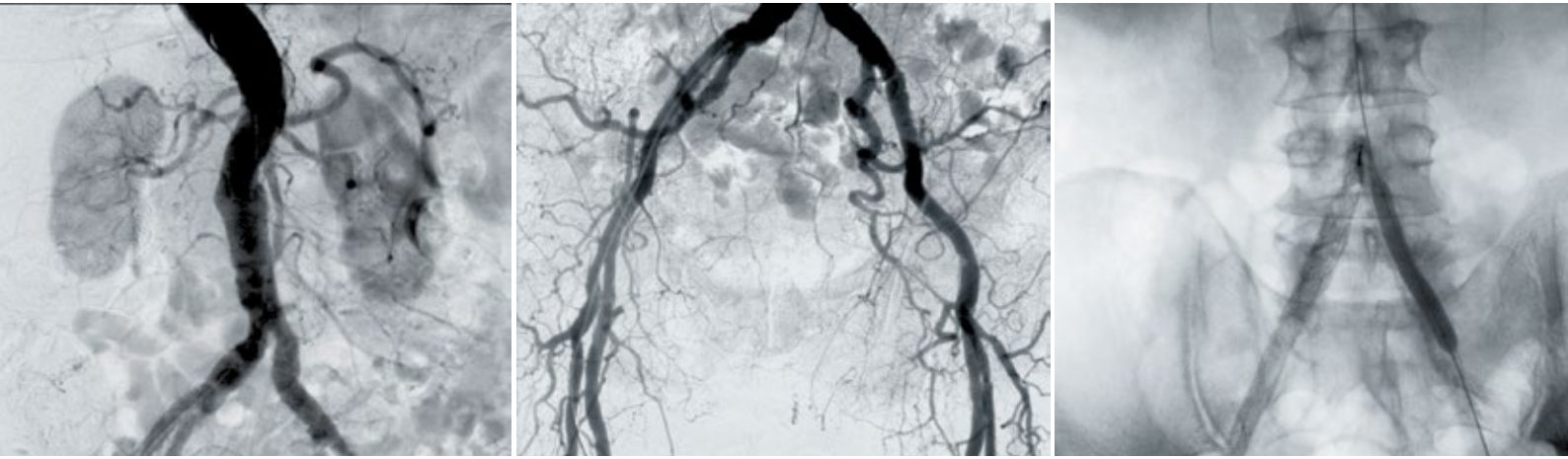


## The Stille imagiQ2: A new generation of low-dose surgical tables

Our table is designed with perfection for image-guided endovascular procedures. With pricing, safety and features optimized for both in-patient and outpatient settings, the imagiQ2 surgical table is enhancing mobile Hybrid OR procedures and conventional endovascular repair.

Learn more at:  
[www.stille.se/imagiQ2](http://www.stille.se/imagiQ2)

# Envision a *clearly* different C-arm experience



## The Stille imagiQ2 provides ultimate visualization and OR efficiency

### **Improve procedure time**

The Stille imagiQ2 has faster, smoother, more accurate movements and crystal-clear translucency. These features help save time in the OR and minimize the need for C-arm adjustments that could contribute to overheating.

The ultra-slim design and super-low base make it an ideal complement for any size C-arm.

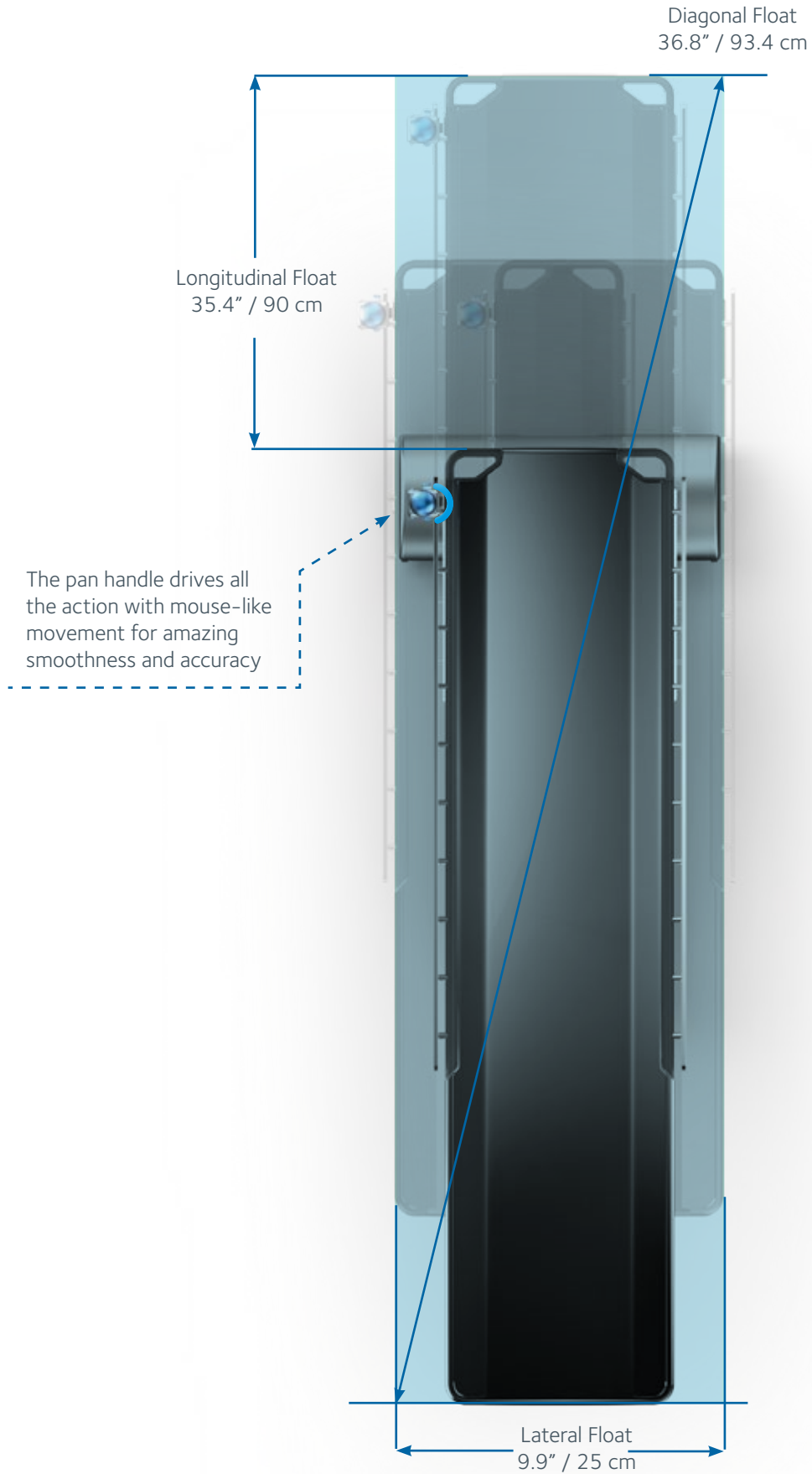
### **Choose a low-dose enabler**

The high-performance carbon fiber table top provides unbeatable transparency (0.4 mm Al), considerably reducing the radiation dose from the C-arm without compromising image quality.





# Experience True Free Float™



# Total control and freedom of movement



## More than a pan handle, it's an extension of you

The cardiovascular system is not designed to operate on straight lines, neither should your vascular table.

The True Free Float™ technology\* of the Stille imagiQ2 gives you unprecedented control and freedom of movement in any desired direction while providing state-of-the-art smoothness that only Stille can deliver.

Stille has been developing medical devices since 1841 and has always been committed to providing the safest and highest performing solutions that will live up to our motto: Surgical perfection. For life.

\*Patents pending.

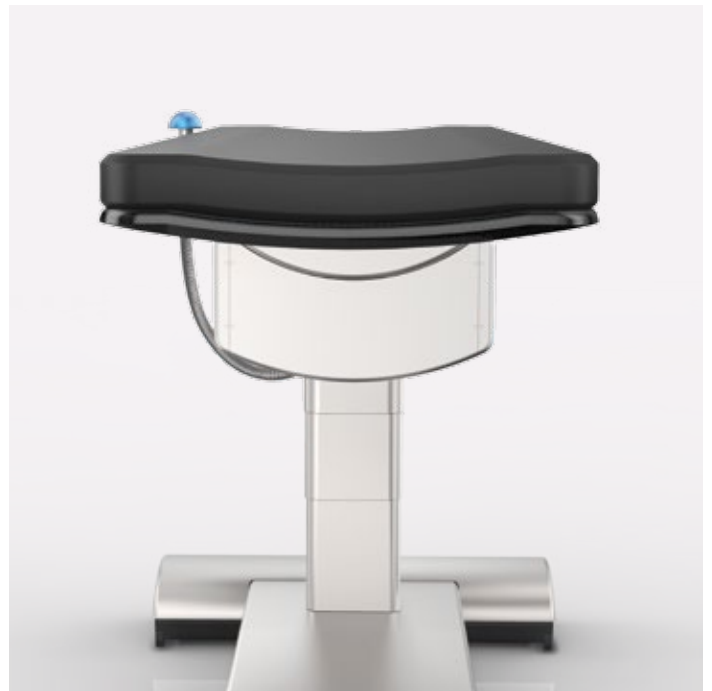
### Roll with it

The patented technology of the isocentric roll ( $\pm 15^\circ$ ) maintains image focus during patient repositioning, helping minimize C-arm adjustments.



### Set the trend

You have the ability to Trendelenburg / reverse trend  $25^\circ$  — that's the most for any vascular OR table on the market. The quick-action button allows for rapid descent for emergency situations.



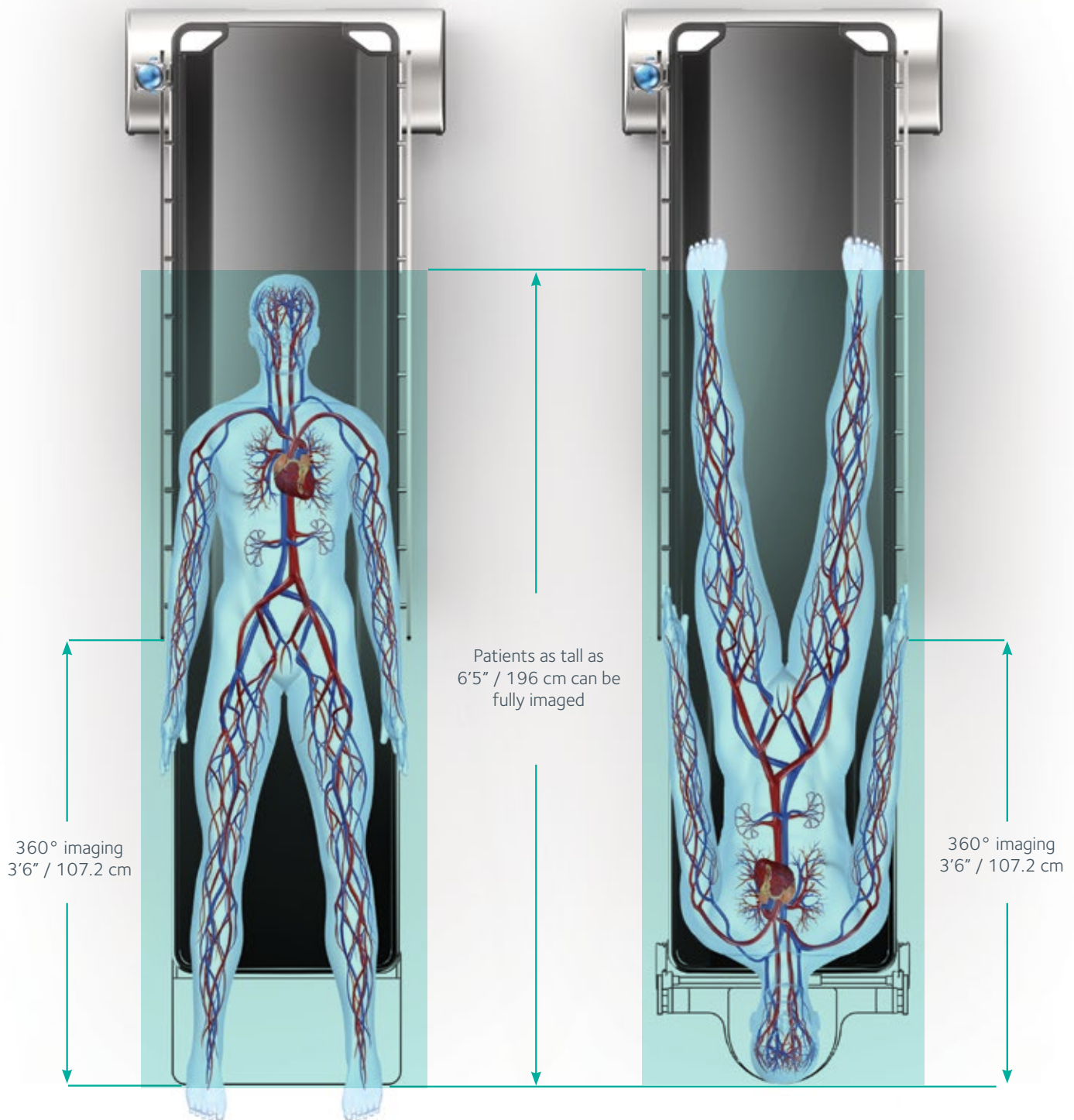
### Freedom of float

Free float technology allows smooth longitudinal (35.4" / 90 cm), lateral (9.9" / 25 cm) and diagonal (36.8" / 93.5 cm) movement.

### Flexibility for the future

The exchangeable table top gives you the option of expanding your OR capabilities and is readily available for future upgrades.

# Premium capabilities for premium procedures




## Go the distance

- ✓ Total translucent length: 6'5" / 196 cm with headrest (5'6" / 169.2 cm without headrest)
- ✓ 360° unobstructed translucent length: 3'6" / 107.2 cm with headrest (2'7" / 80.4 cm without headrest)

## Weigh in on an affordable investment

- ✓ Because it is a premium-made product, the imagiQ2 tables can be upgraded to handle patients as heavy as 661 lbs (300 kg)
- ✓ Standard configuration can handle patients weighing as much as 496 lbs (225 kg)



Provide the safest environment  
for your patients and OR staff

## Low-dose tables: The standard of safety

Our engineers designed the imagiQ2 table top with a new high-performance carbon fiber polymer material.\* This high-quality table top is the most transparent on the market (0.4 mm Al), enhancing image quality while reducing x-ray dose and improving OR safety.

According to the recent Guidelines of Patient Radiation Dose Management,<sup>1</sup> equipment shall be operated at the lowest fluoroscopic dose rate that yields adequate images.

\*Patents pending.

1. Stacker M, Balter S, Towbin RB, et al. *Guidelines for Patient Radiation Dose Management*. 2009;20:S263-S273.



# Surgical perfection for life: *A worthy investment*



## **Gold-standard service and warranty**

Stille is dedicated to providing gold-standard customer service. We believe in our products: imagiQ2 is backed with a 2-year warranty on labor and 3 years on parts. However, if you need service support, our technicians are specially trained on each product and offer quick, courteous service.

## **Safety for patients and staff**

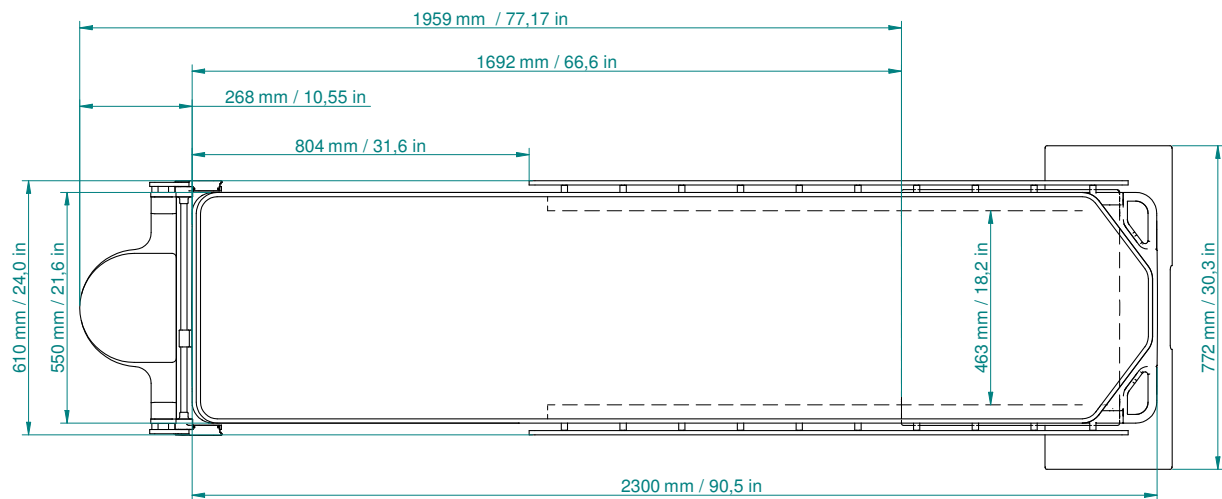
For more than 170 years, Stille has developed medical devices with patient safety as our primary focus. Our products require extensive safety checks through our quality system to ensure they are delivered with the highest level of safety for patients and OR staff.

## **Reliability you can trust**

Stille has a history of leadership in the medical sciences that started in 1841 at the Karolinska Institute in Sweden. We pride ourselves in working with the finest material to ensure the highest quality in performance and durability on all our products.

## **Innovative technology**

Stille is an innovator in vascular imaging technology. We have always invested in product development by working directly with surgeons to provide the best solutions to OR situations. We focus our attention on the product's safety and ease of use so you can focus on the procedure not the equipment.



## Product specifications of the Stille imagiQ2

Feature	Description
Patient weight	496 lb / 225 kg and 661 lb / 300 kg (with load upgrade pack)
Table top length	90.5" / 230 cm
Translucent length	77.17" / 196 cm with headrest (66.6" / 169.2 cm without headrest)
Translucent table top	Proprietary, patent pending carbon fiber structure. Al 0.4
Float lock	Stille quick-lock system
Float (longitudinal, lateral, diagonal)	35.4" x 9.9" x 36.8" / 90 cm x 25 cm x 93.4 cm
Operation conditions	100% continuous
AC power: 100-250 Volts	Direct AC power + battery DC power
Length, width, height	L = 92" / 234 cm; W = 30.3" / 77.2 cm; H = 28"- 43" / 71-109 cm
Trendelenburg	±25°
Lateral roll	±15°
Wheels and steering	4 swiveling wheels
Side rails	Fixed along 2/3 of the table top
Exchangeable table top	Yes, future-proof platform for extended use
Transport handle	Yes (Color: Black for 225-kg version, silver for 300-kg version)

## Customizing the imagiQ2 to fit your needs

Upgrade features	Description
Mobility enhancement pack	When the table is used for frequent intra-clinic transportation, use the mobility enhancement pack for improved mobility. An additional fifth guiding wheel is included to provide optimal mobility. Ref: 535-1711
Load upgrade pack	Maximize the capabilities of the imagiQ2 with increased patient weight capacity up to 661 lb / 300 kg. Ref: 535-1710
Performance pack	For maximum uptime, choose the performance pack. It includes a high-performance long-term battery pack with up to 1 week of durability. Ref: 535-1712

## Selective accessory highlights



**imagiQ2 radiation shield**  
Tailored and easy to fit protection against scattered radiation with lead rubber (0.5 Pb) material.



**Detachable short side rail**  
Short 8 in / 20 cm rail system enabling accessory mounting and 360° imaging capabilities.



**Translucent fistula arm board**  
Provides an unobstructed image and is connected directly to the carbon fiber top.

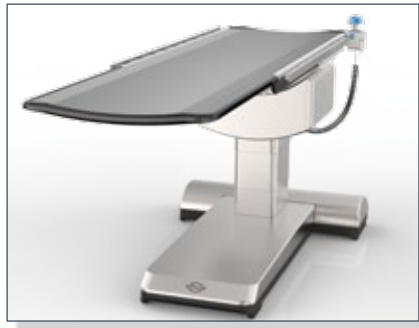


**Adjustable procedure headrest**  
Fully translucent, adjustable headrest ensures easy intubation and superior carotid visualization.

Accessory	Part number	Standard	Option	Market availability
Pan handle DIN	535-1760	x		All excl US
Pan handle US	535-1761	x		US only
Detachable side rail US	535-1720		x	All
Detachable side rail DIN	535-1721		x	All
Detachable side rail UK	535-1722		x	All
Short detachable 8 inch rail US*	535-1724		x	All
Short detachable 8 inch rail DIN*	535-1725		x	All
Short detachable 8 inch rail UK*	535-1726		x	All
Fistula arm board	535-1730		x	All
Head rest, adjustable	535-1740		x	All
Head rest fixed	535-1741		x	All
Catheter tray 1000 mm	535-1750		x	All
Catheter tray 1500 mm	535-1751		x	All
Catheter tray 500 mm	535-1752		x	All
Foot Control	535-1762		x	All
Adjustable armboard DIN	514-50-3SR025		x	All excl US
IV pole	514-100401		x	All excl US
Anesthesia frame	514-100311		x	All excl US
Basic armboard	512-5000		x	US only
Anesthesia screen	512-5030		x	US only
IV pole w/o clamp	512-5010		x	US only
IV pole clamp	512-5013		x	US only
Foot board carbon fiber with pad	512-5040		x	US only
Deluxe maximum restraint	O-RSX2		x	US only
Radiation shield base kit grey**	535-1770		x	EU only
Radiation shield base kit blue**	535-1771		x	EU only
Radiation shield loop grey. Extra shield**	535-1772		x	EU only
Radiation shield loop blue. Extra shield**	535-1773		x	EU only

\* The new detachable 20 cm / 8 in side rail is not to be used with a retractor system, catheter trays 1000 mm and 1500 mm

\*\*The system is designed to fit the imagiQ2 and consists of 1 mounting piece that is placed under the mattress and 3 radiation shield curtains. Extra shield curtains, which also can be fitted to the side rail if customer only requires a single curtain and not full whole system



| **Stille imagiQ2** |

## Stille – Surgical perfection. For life.

Stille is one of the oldest medical device companies in the world. We develop, manufacture and sell proprietary high-quality surgical instruments and specialty tables to leading surgeons worldwide. We have done so for more than 170 years.

Stille's offering consists of a strong brand and products renowned for their superior quality. We manage our business in two distinct business areas: surgical business and the patient positioning business.

### **Surgical business**

We offer a complete line of handcrafted, forged surgical instruments featuring delicate design, industry-leading durability and a unique feel, which has made Stille a well-known and highly respected supplier by surgeons throughout the world.

### **Patient positioning**

We offer two main groups of procedure-specific tables for cardiovascular surgery, gynecology, urology and urodynamic examinations. These tables feature a high level of functionality and ergonomics, and appealing aesthetic design.

Stille has been developing medical devices since 1841 and has always been committed to providing the safest and highest performing solutions that live up to our motto: Surgical perfection. For life.



Surgical perfection. For life.

### **Stille AB**

Gustav III:s Boulevard 42  
SE-169 73 Solna, Sweden  
Phone: +46 8 588 580 00  
Fax: +46 8 588 580 05  
info@stille.se

[www.stille.se](http://www.stille.se)

### **Stille Surgical Inc.**

943 Parkview Blvd  
Lombard, IL 60148  
United States  
Phone: 1.800.6651614

### **Distributed by:**